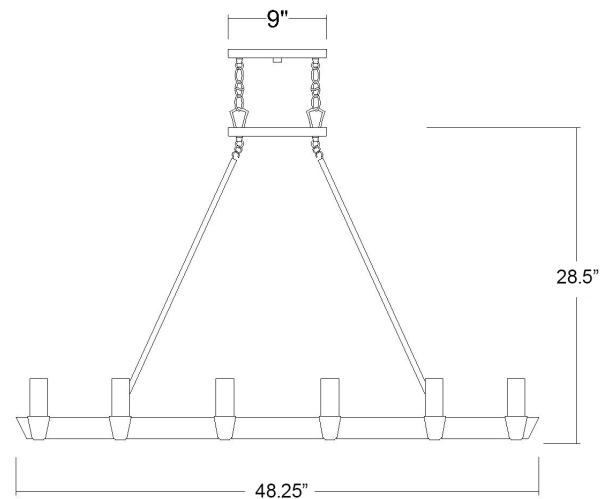
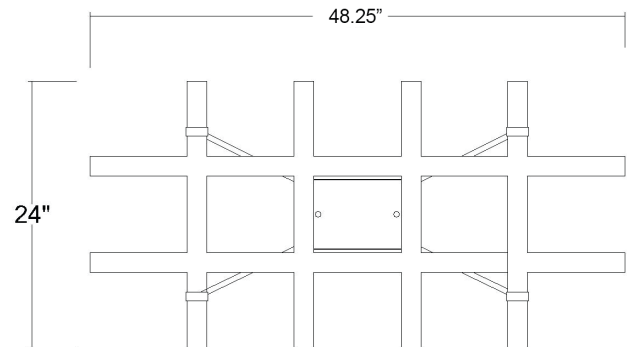


IN11061SN

FINNICK 12-LIGHT CHANDELIER



Description:	Finnicks 12-Light Chandelier
Finish:	Satin Nickel
Dimensions:	48-1/4" W x 24" D x 28-1/2" H
Bulbs:	12-60W Med.
Installed Weight:	15.7 lbs.
Certification:	cUL / dry location

Material:	Steel and wood
Shades:	NA
Glass:	NA
Canopy Dimensions:	9" x 6-1/4"
Chain/Wire:	10' Chain, 12' Wire
Additional Finishes:	NA